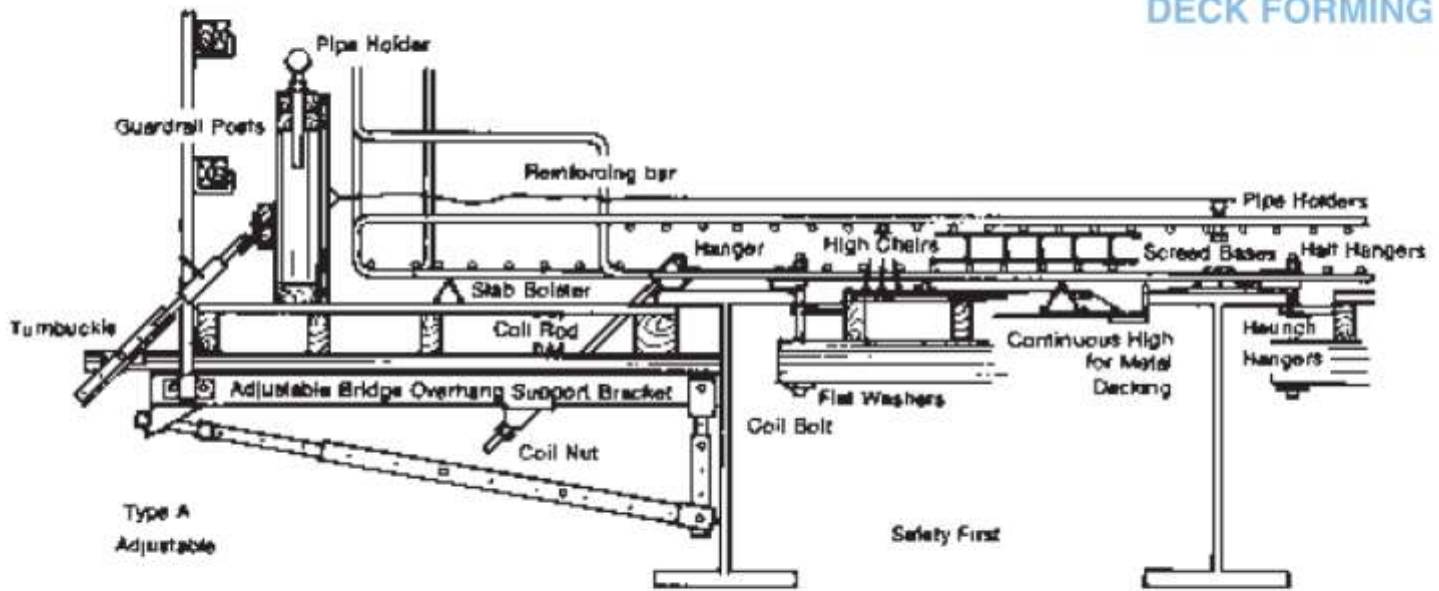


DECK FORMING



BRIDGE OVERHANG SUPPORT BRACKET



560.00 Each 45 lbs.

CHANNEL HANGER

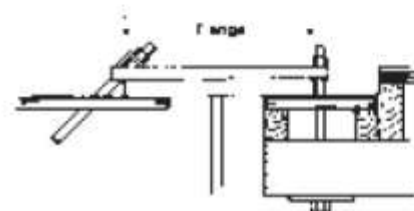
1/2" Diam.-3,000 LBS. (1,500 LBS. Per Leg) At 1" Clearance

Safe working load at 2.0 to 1.0 safety factor.

4,000 LBS. (2,000 LBS. Per Leg) At 1/16" Clearance

Safe working load at 2.0 to 1.0 safety factor.

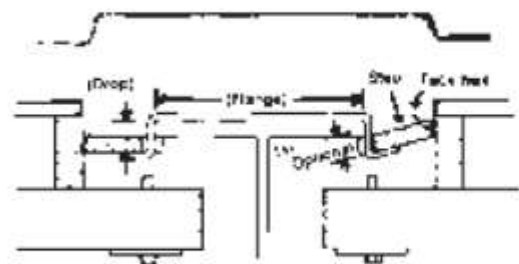
Flange width	Price	Wt. lbs.
Up to 10"	P.O.A.	97
ea. add'l. inch add	P.O.A.	9
one 45° end add	P.O.A.	10



HAUNCH HANGER CLIP

(Drop + Flange + Drop) + 51/2" = overall

Overall	Price	Wt. lbs.
Up to 18"	570.00	25
ea. add'l. inch add	8.00	1



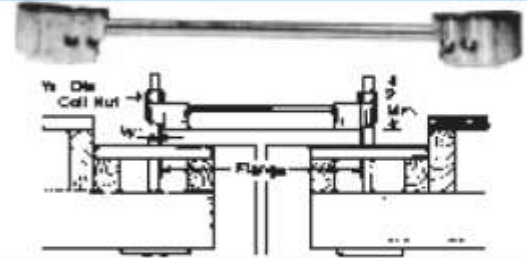
STEEL BEAM HANGERS



STEEL BEAM HANGER

7,000 LBS. (3,500 LBS. Per Leg) at 2.0 to 1.0 safety factor.

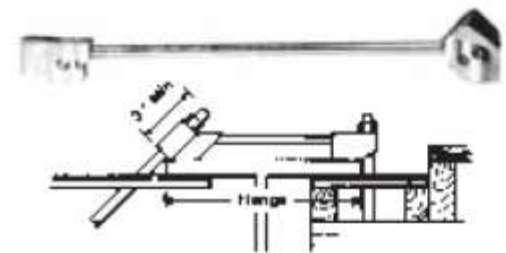
Flange width	Price	Wt. lbs.
Up to 8"	1,000.00	62
ea. add'l. inch add	26.00	3
*1/2" dia. coil nuts not included.		
Two coil nuts required per hanger	168.00	7



STEEL BEAM ANGLE HANGER

7,000 LBS. (3,500 LBS. Per Leg) at 2.0 to 1.0 safety factor.

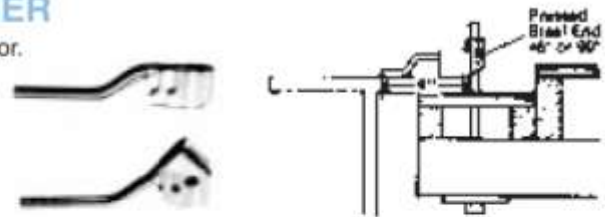
Flange width	Price	Wt. lbs.
Up to 8"	1,060.00	62
ea. add'l. inch add	26.00	3
*1/2" dia. coil nuts not included.		
Two coil nuts required per hanger	168.00	7



HALF STEEL BEAM HANGER & ANGLE HANGER

3,500 LBS. (Dependent Upon Field Weld) at 2.0 to 1.0 safety factor.

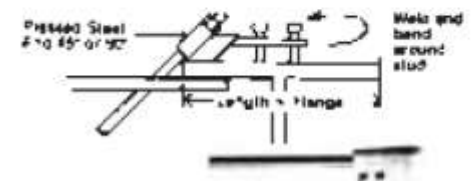
Angle	Wire Dia.	Length	Price	Wt. lbs.
90°	.375	6"	750.00	35
45°	.375	6"	830.00	35
*1/2" dia. Coil nut not included				
One coil nut required per hanger			168.00	7



WELDING HALF STEEL BEAM HANGER & ANGLE HANGER

3,500 LBS. (Dependent Upon Field Weld) at 2.0 to 1.0 safety factor.

Dia. x length	Price	Wt. lbs.
1/2" x 12"	1,025.00	42
1/2" x 14"	1,069.00	46
1/2" x 16"	1,113.00	50
ea. add'l. inch add for 45° angle add	22.00	6
One coil nut required per hanger		168.00
		7

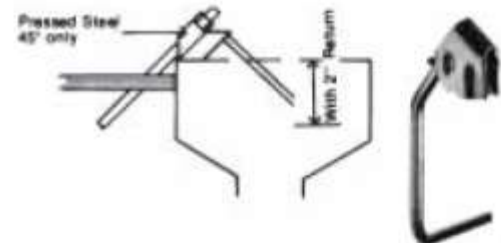


*1/2" dia. coil nut not included.

STEEL ANCHOR HANGER

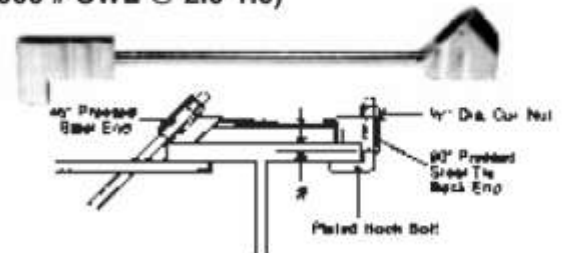
3,500 LBS. (On 45° End) at 2.0 to 1.0 safety factor.

Price	Wt. lbs.
2,575.00	62



STEEL BEAM TIE-BACK HANGER (Heavy Duty 12,000 # SWL @ 2.0-1.0)

Flange width	SWL @ 2.0-1.0	Price	Wt. lbs.
Up to 12"	6,000# on the 45°	6,740.00	74
ea. add'l. inch add		74.00	4
*1/2" dia. coil nuts not included			168.00
Two coil nuts required per hanger		168.00	7
PLATED COIL HOOK BOLTS			
Dia. x length			Wt. lbs.
1/2" x 5"		700.00	38
ea. add'l. inch add		32.00	5





OVER 49 YEARS

What is today Vimco Manufacturing, Inc., had its modest beginnings nearly a half-century ago when Victor Maggitti, Sr. began serving local masonry contractors with cement, sand and other supplies. Knowing well the needs of his customers, he built his business around service, filling orders precisely and delivering them when and where needed.

In 1960, Victor Maggitti, Jr. refocused his father's dedication to customer service onto a new target offering the concrete construction industry a complete range of equipment and accessories together with up-to-the-minute technical expertise.

Since that first small warehouse opened its doors, many things have changed. In 1970, Vimco began

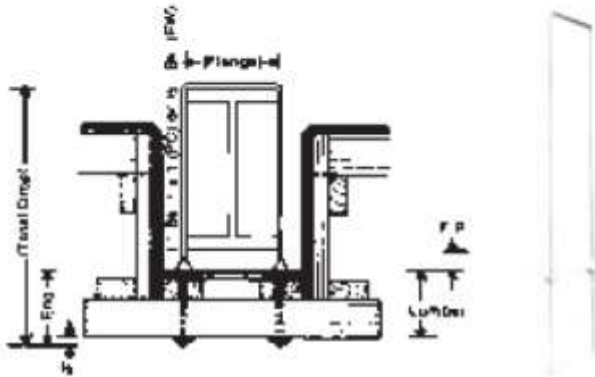


OF LEADERSHIP

manufacturing its own line of reinforcing bar supports and form-typing devices. A decade later, Vimco developed a rental inventory of concrete forms and equipment.

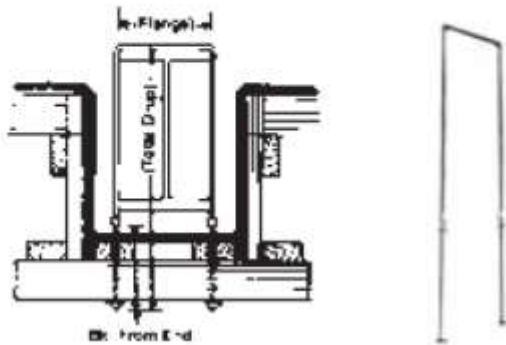
Over the years, Vimco also relocated its headquarters to King of Prussia, Pennsylvania, encompassing over 100,000 square feet of storage area served by a constantly-expanding truck fleet.

Through these decades of dynamic growth, Vimco has never lost sight of its founder's vision. Today, as in 1960, Vimco remains dedicated to providing its customers with the most complete selections, the highest level of technical assistance and the very best service available in the industry.



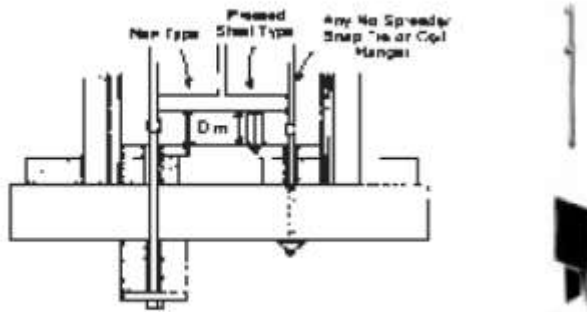
SNAP TIE HANGER WITH SPREADER (PC) (FW)

Total SWL both sides @ 2.0-1.0 (Drop + Flange + Drop)	1,500#		2,000#	
	Price	Wt. lbs.	Price	Wt. lbs.
Overall to 30"	1,115.00	31	1,270.00	38
ea. add'l. inch add	17.00	2	17.00	3



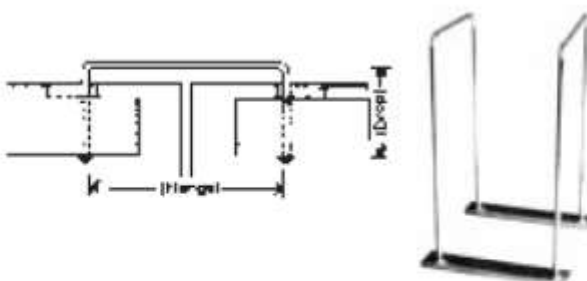
SNAP TIE HANGER NO SPREADER (NB)

Total SWL both sides @ 2.0-1.0 (Drop + Flange + Drop)	1,500#		2,000#	
	Price	Wt. lbs.	Price	Wt. lbs.
Overall to 30"	1,115.00	31	1,270.00	31
ea. add'l. inch add	17.00	2	17.00	3



SOFFIT SPACERS NAIL OR PRESSED STEEL

Size	Price	Wt. lbs.
1 1/2"	112.00	4
2"	125.00	5
2 1/2"	138.00	7
3"	151.00	8



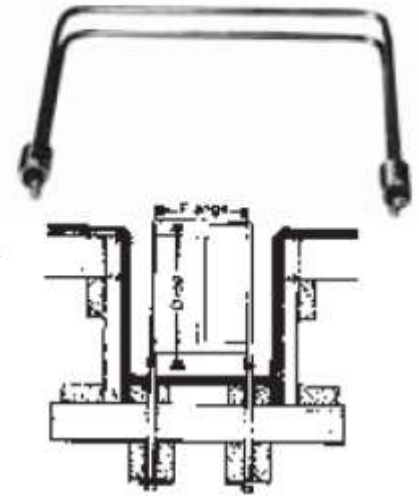
SADDLE HANGER WITH PLATE

Four Gauge 1,800 LBS. (900 LBS. Per Side Equally Loaded) Safe working load at 2.0 to 1.0 safety factor.

(Drop + Flange + Drop)	Price	Wt. lbs.
2 x joist overall to 18" (4 ga. wire)	1,306.00	45
ea. add'l. inch add	36.00	2
4 x joist add	74.00	4
diff. plate ea. end add	132.00	
diff. drop ea. end add	220.00	

COIL TIE HANGER

Diameter	1/2" dia.	1/2" dia.	3/4" dia.	1" dia.
Total SWL				
Both sides @ 2.0-1.0	4,500#	7,500#	11,250#	15,000#



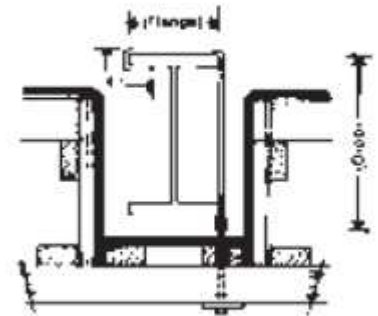
(Drop + Flange + Drop)	Price	Wt. lbs.	Price	Wt. lbs.	Price	Wt. lbs.	Price	Wt. lbs.
Overall to 24"	1,700.00	75	1,800.00	150	2,300.00	185	3,200.00	275
Over 24" to 30"	1,940.00	79	2,100.00	160	2,720.00	221	3,680.00	340
Over 30" to 36"	2,180.00	104	2,400.00	170	3,140.00	261	4,160.00	392
Over 36" to 42"	2,420.00	131	2,700.00	180	3,560.00	298	4,640.00	445
ea. add'l. inch add	40.00	2	50.00	6	70.00	6	80.00	9

HALF COIL TIE HANGER

1/2" Dia. 750 LBS.

Safe working load at 2.0 to 1.0 safety factor.

1/2" dia. only (Drop + Flange + 4")	Price	Wt. lbs.
Overall to 24"	1,120.00	72
ea. add'l. inch add	30.00	14



COIL LOOP HANGER

Price on application

