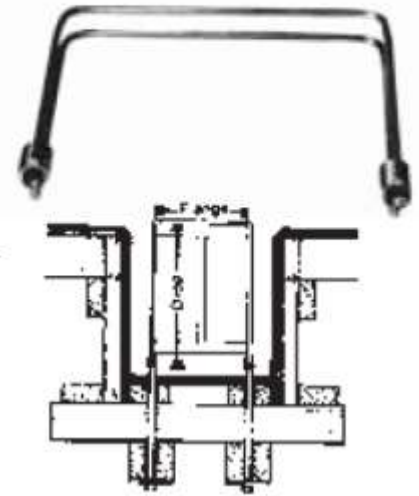


COIL TIE HANGER

Diameter	1/2" dia.	1/2" dia.	3/4" dia.	1" dia.
Total SWL				
Both sides @ 2.0-1.0	4,500#	7,500#	11,250#	15,000#



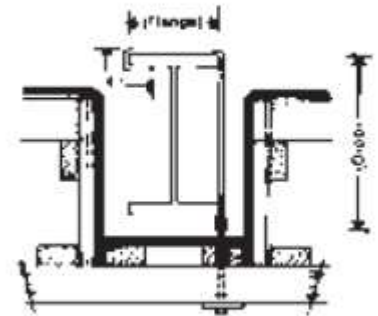
(Drop + Flange + Drop)	Price	Wt. lbs.	Price	Wt. lbs.	Price	Wt. lbs.	Price	Wt. lbs.
Overall to 24"	1,700.00	75	1,800.00	150	2,300.00	185	3,200.00	275
Over 24" to 30"	1,940.00	79	2,100.00	160	2,720.00	221	3,680.00	340
Over 30" to 36"	2,180.00	104	2,400.00	170	3,140.00	261	4,160.00	392
Over 36" to 42"	2,420.00	131	2,700.00	180	3,560.00	298	4,640.00	445
ea. add'l. inch add	40.00	2	50.00	6	70.00	6	80.00	9

HALF COIL TIE HANGER

1/2" Dia. 750 LBS.

Safe working load at 2.0 to 1.0 safety factor.

1/2" dia. only (Drop + Flange + 4")	Price	Wt. lbs.
Overall to 24"	1,120.00	72
ea. add'l. inch add	30.00	14



COIL LOOP HANGER

Price on application

