

Connection to existing walls

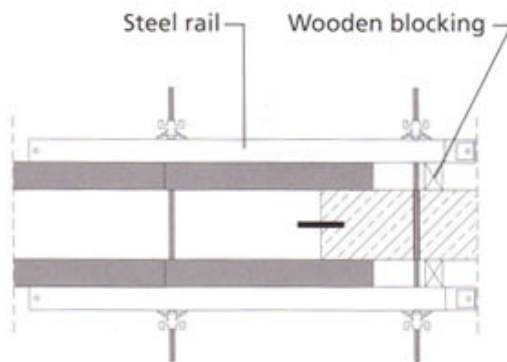


Fig. 25.1

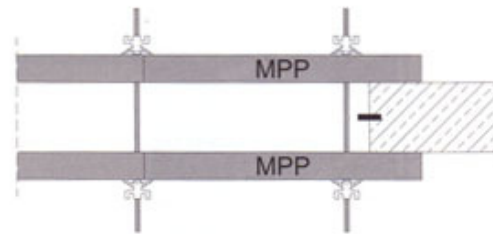


Fig. 25.2

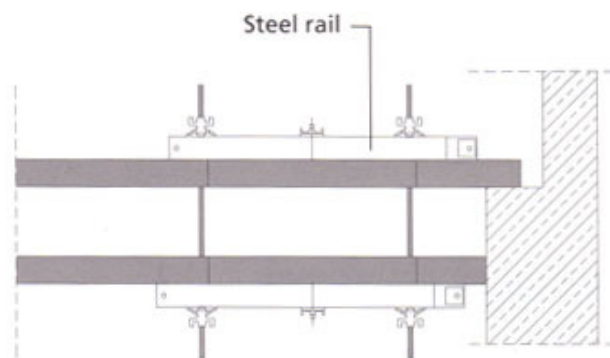


Fig. 25.3

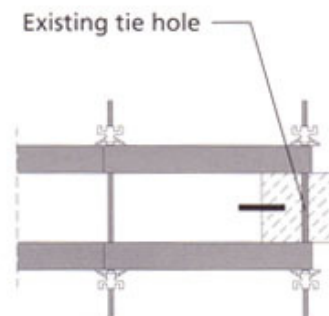


Fig. 25.4

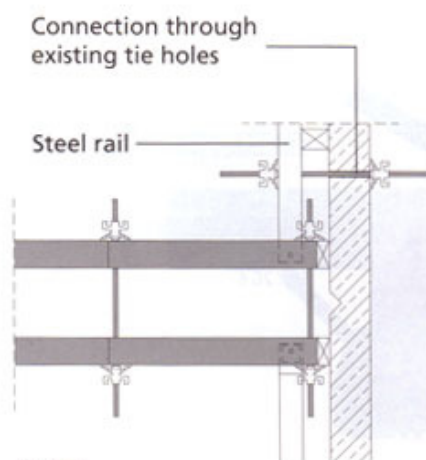


Fig. 25.5

These sketches show some options for connecting formwork to an existing wall (Fig. 25.1 - Fig. 25.5). According to the conditions on the construction site the most suitable solution may be chosen.

Make sure that the formwork is securely attached to the existing wall in order to avoid a leakage of the fresh concrete and a patchy concrete surface.

The rails must be calculated for each specific application.