

Crane hook

The admissible load of a crane hook (Fig. 32.1) is 1,300 lbs.

The handling is very simple: Open the safety lever as far as possible. Then push the crane hook over the panel profile until the claw engages completely in the groove. Move the safety lever back to the starting position to lock the crane hook (Fig. 32.3).

When moving gangs (Fig. 32.4 - 32.6), make sure that each crane hook is attached at a panel joint or above a stiffener (when horizontally stacked). This avoids displacement of the crane hook. For more illustrations see following page.

Safety tips

Always check the crane hook before use. Do not overload the crane hook. Overloading causes damage.

Attention

If the reference dimension exceeds 0.95" the crane hook must be replaced immediately (Fig. 32.2).

Replace it even if only one side of the hook exceeds this dimension.

Safety regulations

When using our products the federal, state and local codes and regulations must be observed.

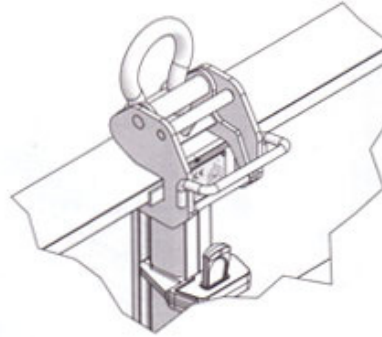


Fig. 32.1

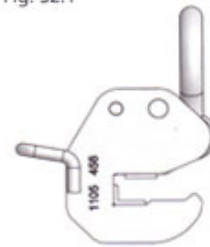


Fig. 32.2

Reference dimension

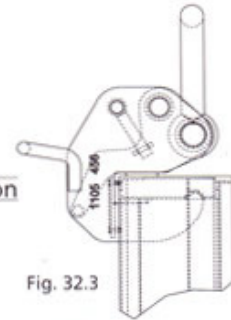


Fig. 32.3

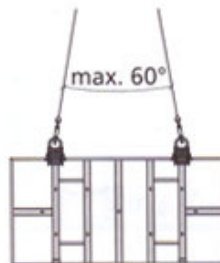


Fig. 32.4

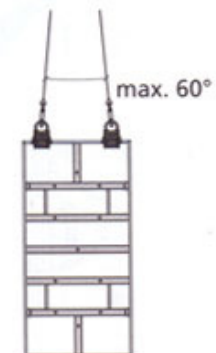


Fig. 32.5

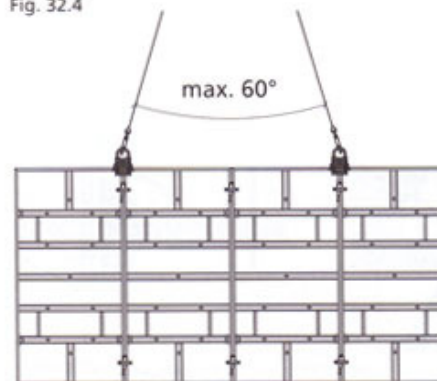


Fig. 32.6

Description	Ref.-No.
ML-crane hook	29-103-97