

## Transport

### Transport units

#### Fig. 36.1

Panel stacks should not exceed 15 panels. Make sure that panels are secured before flying the stack.

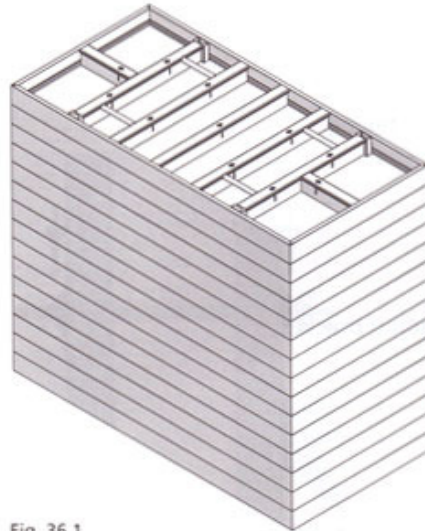


Fig. 36.1

#### Fig. 36.2

Corners can be stored in stacking racks.

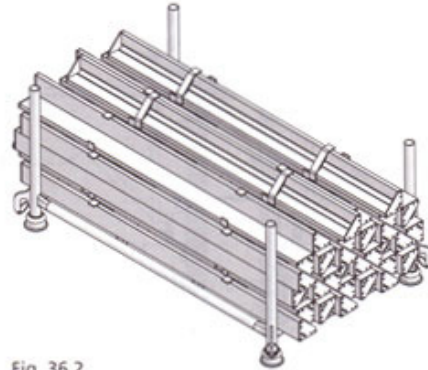


Fig. 36.2

#### Fig. 36.3 + Fig. 36.4

Fillers and scaffolding brackets can also be stored in stacking racks.

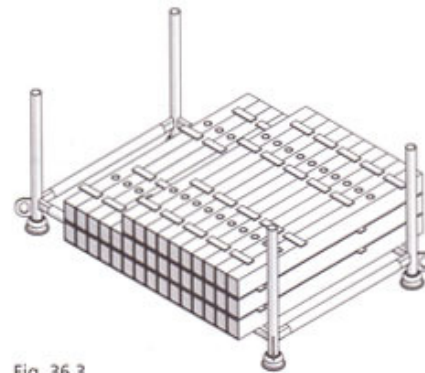


Fig. 36.3

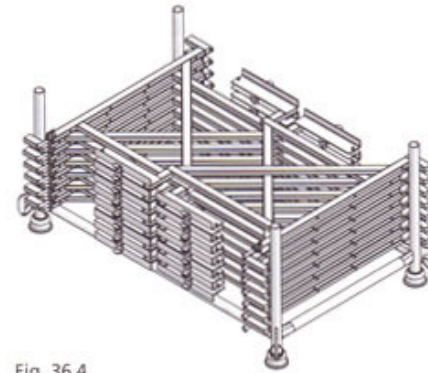


Fig. 36.4

#### Fig. 36.5

Accessories such as assembly locks, flange screws, articulated flange nuts, ties, crane hooks, etc. can be stored in the MEVA storage boxes.

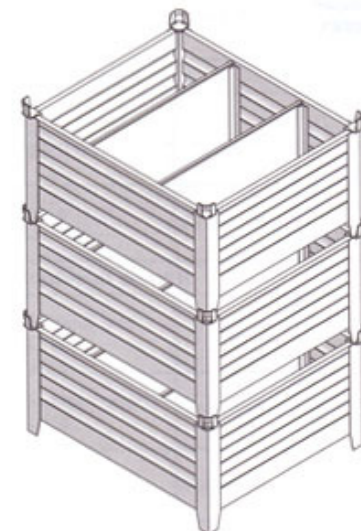


Fig. 36.5

Description	Ref.-No.
Stacking rack .....	27-000-20
Storage box .....	27-000-10

## Transport

Make sure that all material is secured properly.

### **Recommendation**

Use one load/cargo strap per 3 linear feet of cargo (Fig. 37.1).

### **Attention**

When using our products the federal, state and local codes and regulations must be observed.

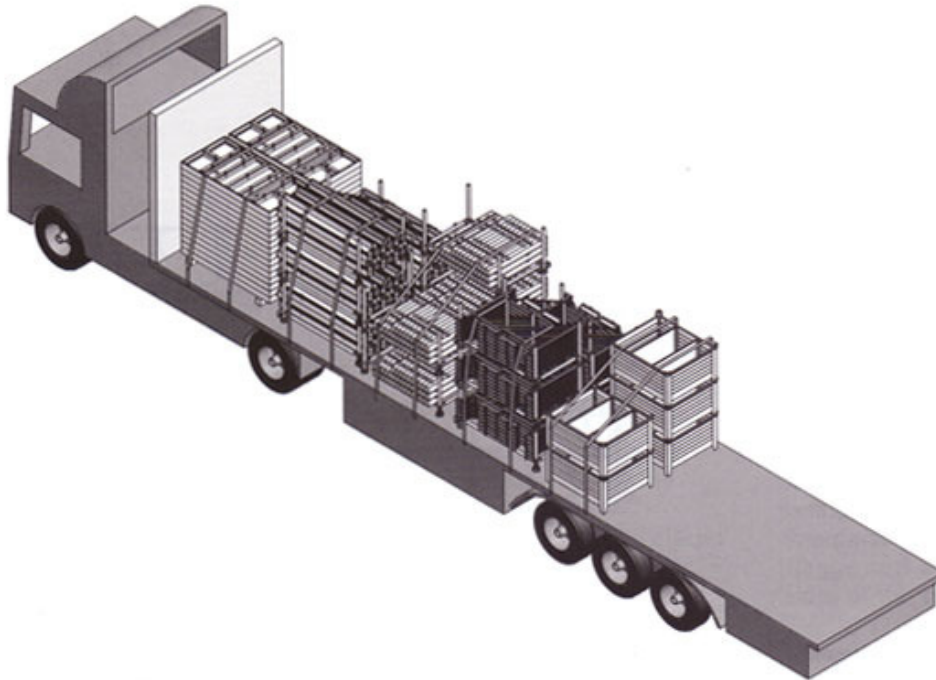


Fig. 37.1