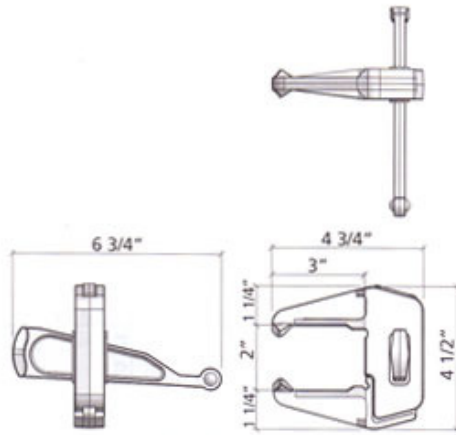
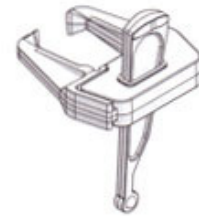


EA-assembly lock

galvanized; to tightly connect and align ML-panels; clamping length: 2".

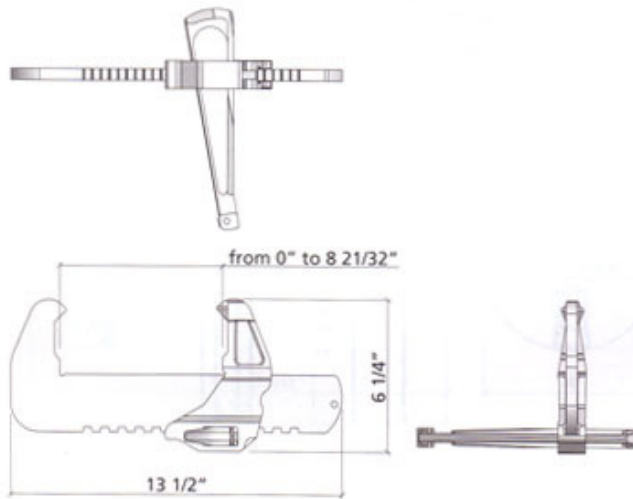


Ref.-No.	Dimensions	Weight
29-205-50	—	3.3 lb

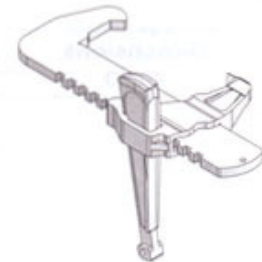


Uni-assembly lock 22

galvanized; for stepless compensations, clamping length = 8.66", spans fillers up to 6.5".

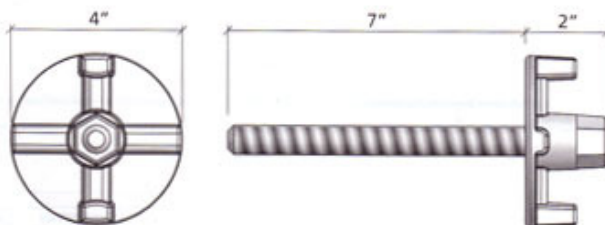


Ref.-No.	Dimensions	Weight
29-400-85	—	7.9 lb



Flange screw 18

galvanized; to attach steel rails, scaffolding brackets and formwork-prop connectors etc.; length of thread: 7".



Ref.-No.	Dimensions	Weight
29-401-10	—	2.4 lb

