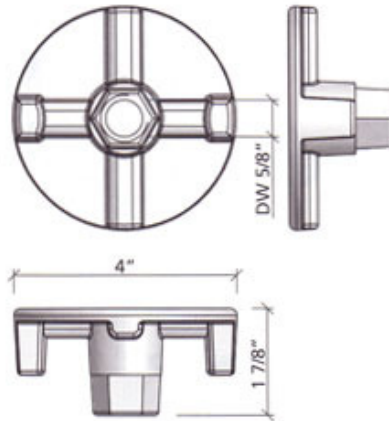
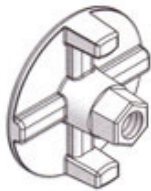


# MevaLite

## Flange nut 100

forged part with cut thread; for threadbars with 5/8" (15 mm); plate diameter: 4"; admissible load-bearing capacity: 21,900 lbs.

Ref.-No.	Dimensions	Weight
29-900-20	100	1.5 lb



## Taper tie

to tie double-sided formwork.

Ref.-No.	Dimensions	Length
2-500-58-16/42	1" to 3/4"	42"
2-500-58-24/50	1" to 3/4"	50"
2-500-58-32/58	1" to 3/4"	58"



## Tie claw 23

galvanized; permits tying directly above or beside MevaLite panels.

Ref.-No.	Dimensions	Weight
29-901-44	—	0.4 lb

