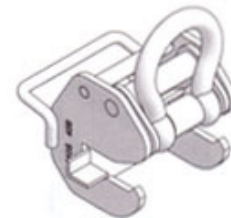
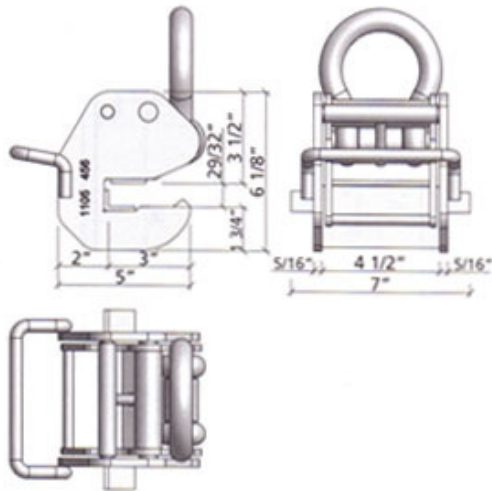


### ML-crane hook

coated; to move Mevalite-panels. Self-locking; load capacity: 1,300 lbs. Always two (2) crane hooks required per gang. Please refer to Instruction Manual for application and safety test.

Ref.-No.	Dimensions	Weight
29-103-95	—	12.1 lb



### Scaffolding bracket

galvanized, yellow, pluggable. It is used as working and safety scaffold; is attached to the multi-function profile and secured to the multi-function profile below by means of a flange screw 18. The planking can be mounted to the brackets. Working width approx. 3' (4'). Guard-railing post 100 or 140 is required in addition. Bracket spacing depends on type of planking (see Technical Instruction Manual).

Ref.-No.	Dimensions	Weight
29-106-50	4' (125 cm)	25.4 lb
29-106-00	3' (90 cm)	22.0 lb

