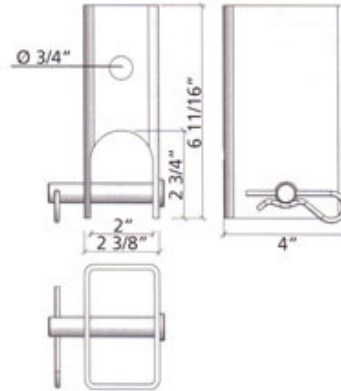


# MevaLite

## Formwork-prop connector

galvanized; to connect braces, brace frames and push-pull props to the multi-function profile by means of a flange screw 18. Delivery includes head bolt 16/90 and cotter pin 4.

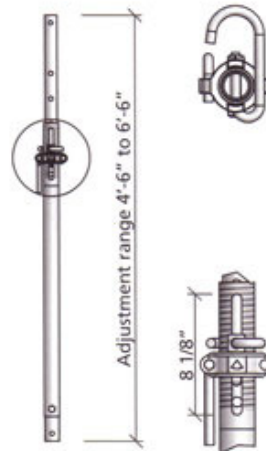
Ref.-No.	Dimensions	Weight
29-804-85	—	3.6 lb



## Push-pull prop R 160

galvanized; high tensile and compression strength, for aligning formwork. Articulated foot plate and formwork-prop connector must be ordered separately. Adjustment range: 4'-6" to 6'-6".

Ref. No.	Dimensions	Weight
29-109-40	R 160	24.3 lb



## Push-pull prop R 250

as above; except adjustment range: 6'-3" to 10'-5".

Ref. No.	Dimensions	Weight
29-109-60	R 250	40.8 lb

