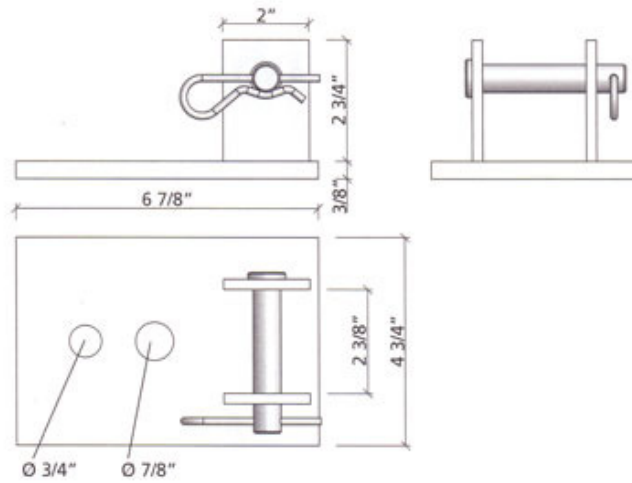
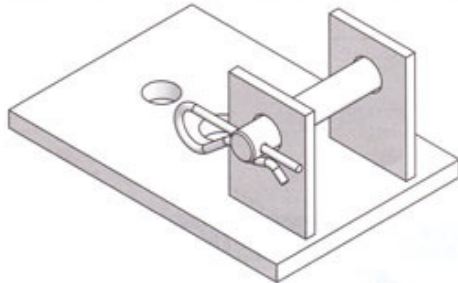


# Mevalite

## Articulated foot plate

galvanized; for push-pull prop up to 2 1/4" (58 mm) outside diameter, incl. M16x90 bolt and nut.

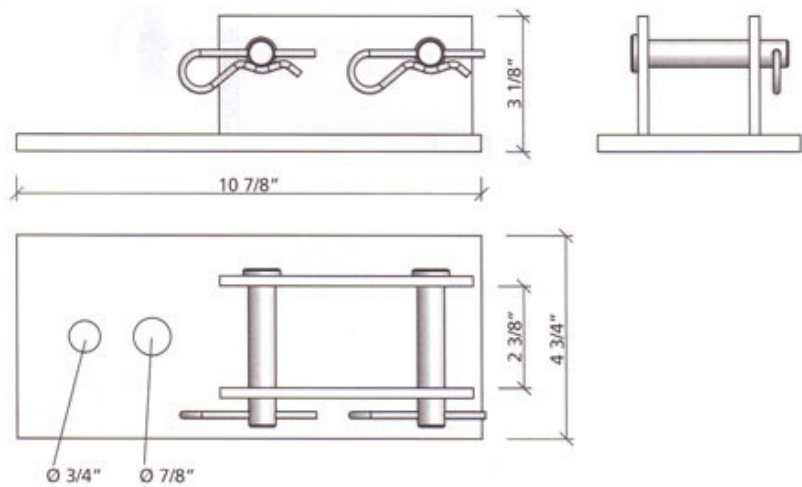
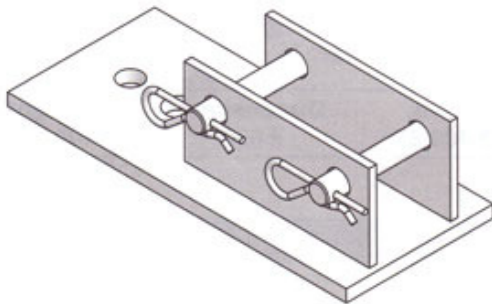
Ref. No.	Dimensions	Weight
29-802-48	—	5.1 lb



## Double-jointed foot plate

galvanized; for brace frames with braces of diameters up to 2 1/4" (58 mm).

Ref. No.	Dimensions	Weight
29-402-32	—	8.8 lb



## Shoe plate 23

to anchor forms to the supporting structure.

Ref.-No.	Dimensions	Weight
29-311-96A	—	4.7 lb

