

## Panel connection

The fast and efficient connection of the panels is accomplished with the MEVA assembly lock, no matter if the panels are assembled side by side or on top of each other. The lock can be attached on the frame at any position, and its 5-point contact does not only draw together the panels, it also aligns them. With only a few hammer blows a safe connection and a perfect alignment are achieved.

Since the lock weighs only 3.3 lbs it can be easily attached with one hand.

Two assembly locks per panel joint are sufficient for the 6', 4' and 3' high panels.

Three assembly locks per panel joint are sufficient for the 9' high panels.

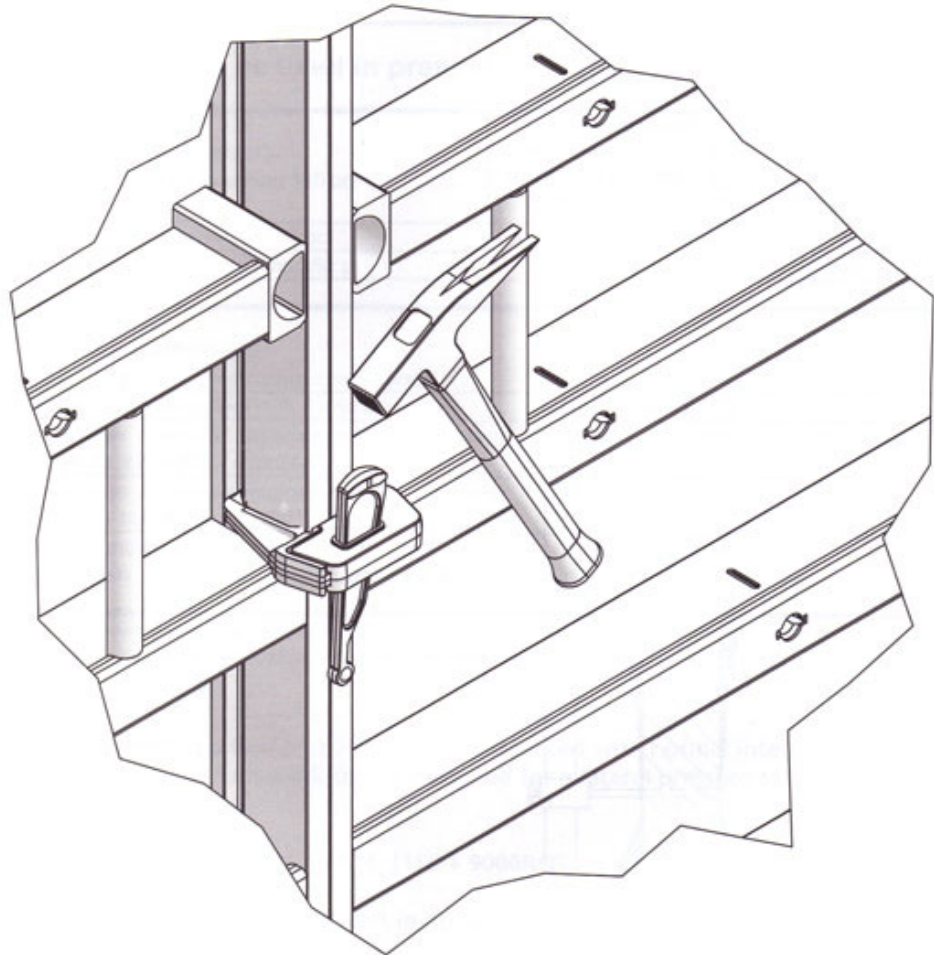


Fig. 8.1

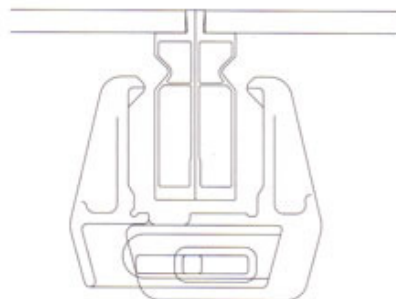


Fig. 8.2

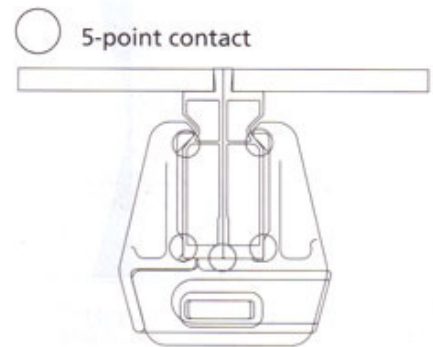


Fig. 8.3

Description	Ref.-No.
EA-assembly lock	29-205-50