

Placing of ties

Attention:
The diameter of the hole in the alkus sheet is 1 1/16".

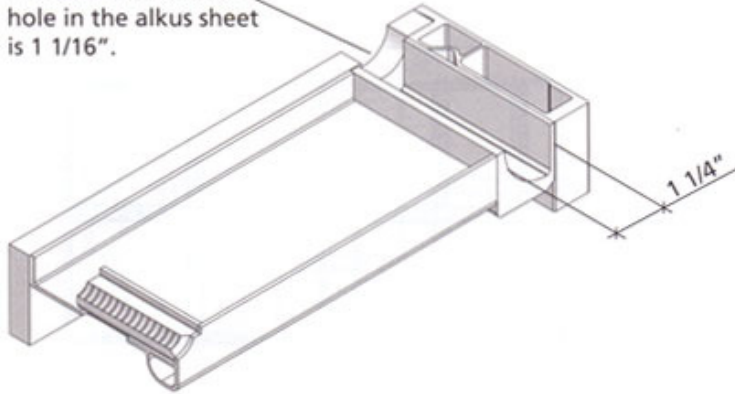


Fig. 9.1

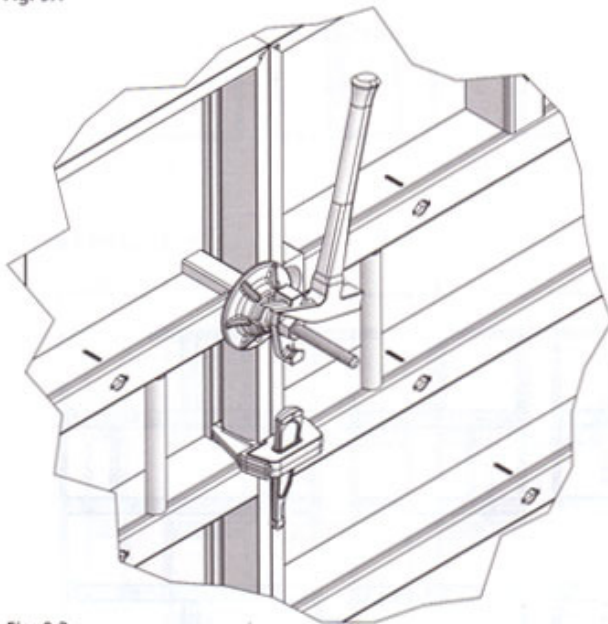


Fig. 9.2

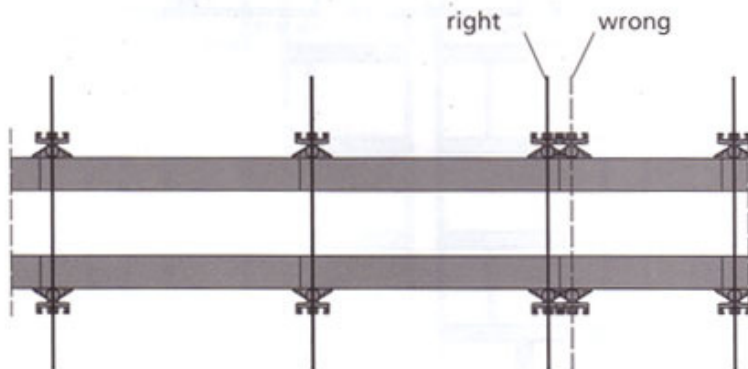


Fig. 9.3

The tie pockets, where the ties can be inserted, are located adjacent to the panel frame. The size of the pockets (Fig. 9.1) allows one or both sides of the wall to be inclined. On sloping formwork the articulated flange nuts 15/120 have to be used. These flange nuts can be easily installed by using a hammer (Fig. 9.2) or a spanner (Fig. 9.2). In order to secure the formwork against uplift it has to be tied to the ground.

Please note:

If two panels of different width are assembled side by side, the ties should always be placed through the panel with the larger width (Fig. 9.3).

When using Uni-tie claws (used only with thru-rods), the ties can be placed at the outside edge of the panels, for example when forming bulkheads, or directly above the panels when forming foundations.

Description	Ref.-No.
Tie rod (thru-rod) DW 15/90.....	29-900-80
Articulated flange nut 15/120.....	29-900-10
Plug D27/30.....	29-902-64
Spanner SW 27....	29-800-10