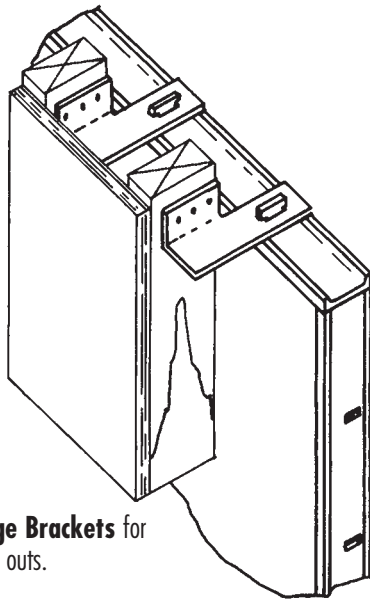
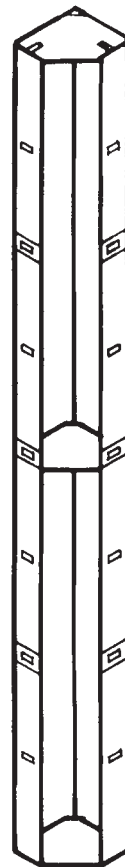


# Outside and Inside Corners



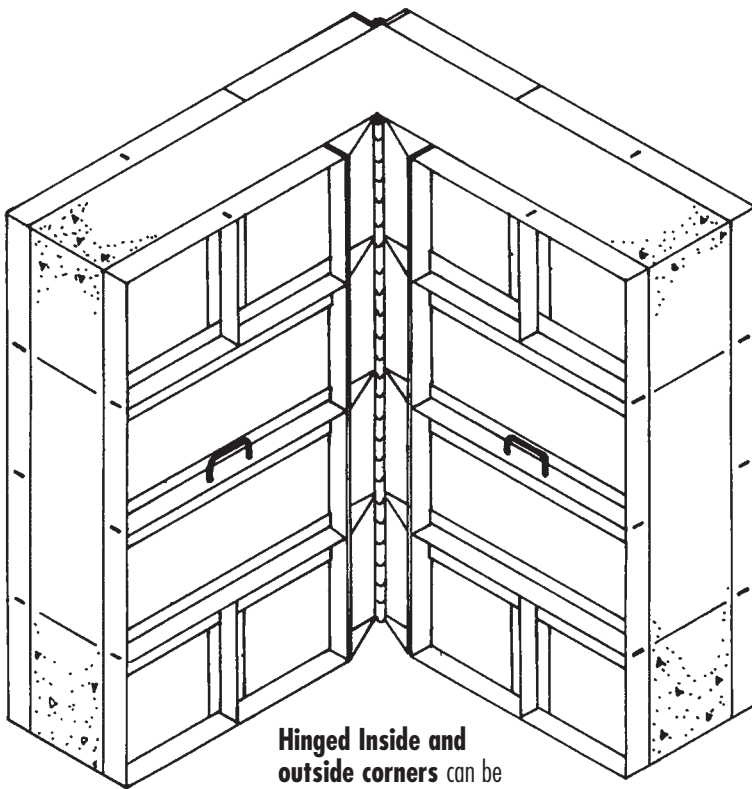
**Brick Ledge Brackets** for job-built box outs.



**Inside Corners** in 4" and 6" face width.



**Outside Corners:** 2½" X 2½" angle.



**Hinged Inside and outside corners** can be used to form almost any conceivable angle