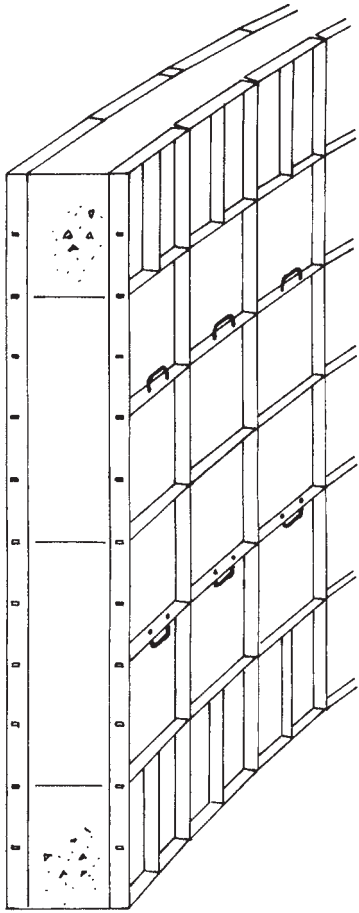
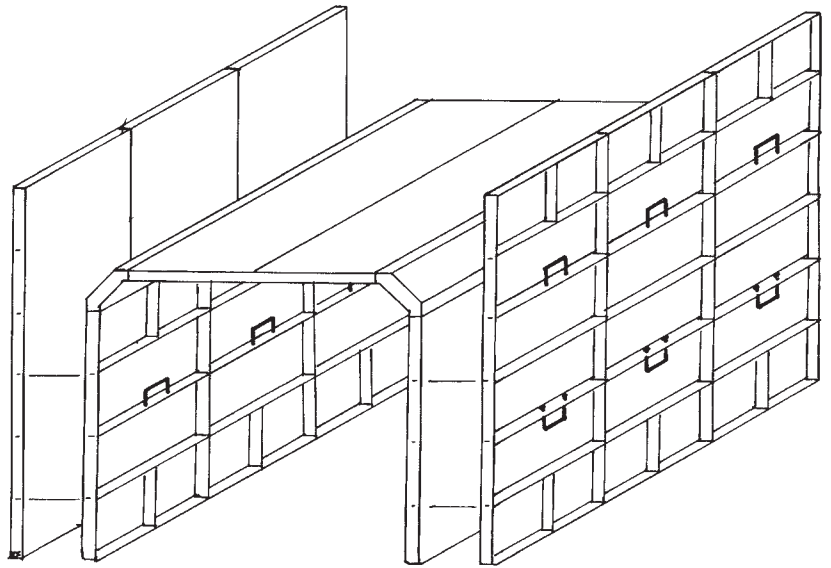


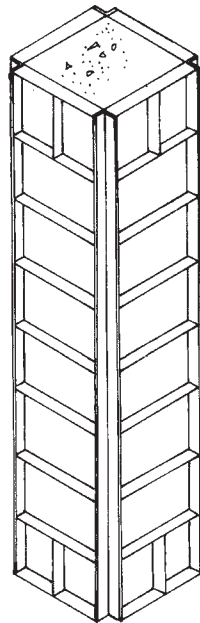
Applications



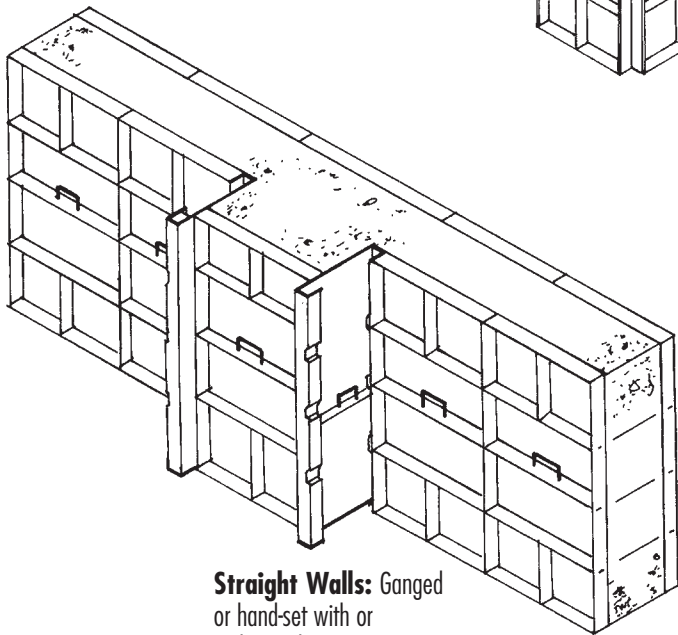
Curved Walls: Handset or ganged utilizing wood, rolled channels or pipe walers to develop the desired radius.



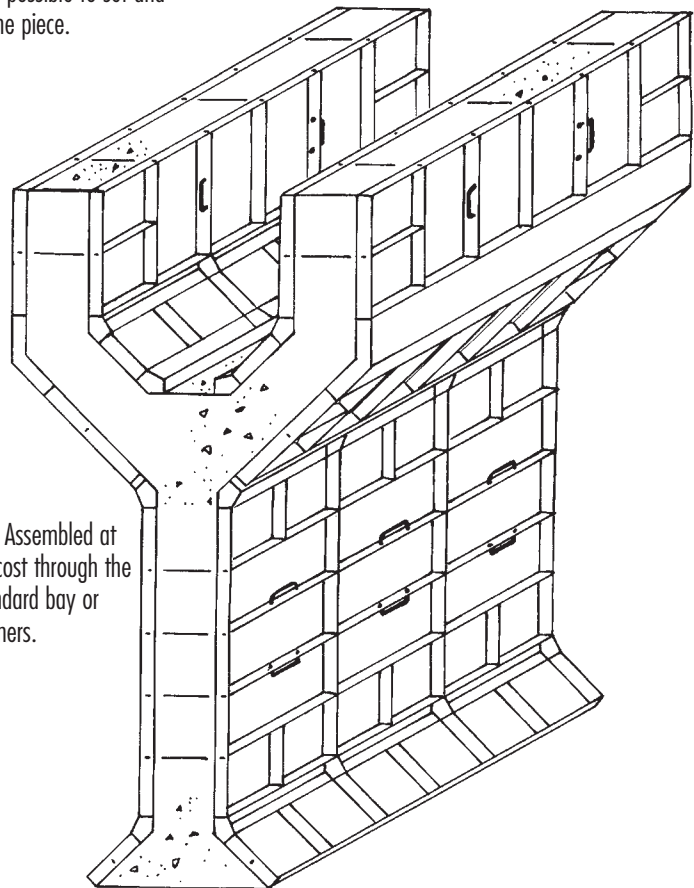
Box culverts: Ganged and moved forward as an entire unit, using vertical (illustrated) or horizontal panels.



Columns: A wide variety of shapes may be hand-set or ganged with hinged corners, making it possible to set and strip in one piece.



Straight Walls: Ganged or hand-set with or without pilasters to any height or length.



Y-Walls: Assembled at minimum cost through the use of standard bay or hinged corners.