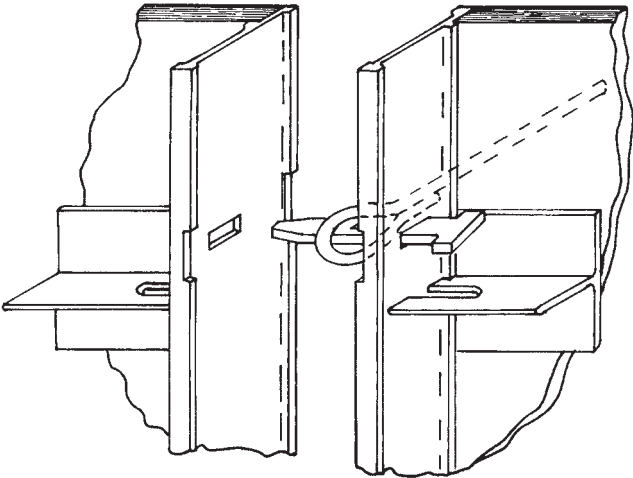
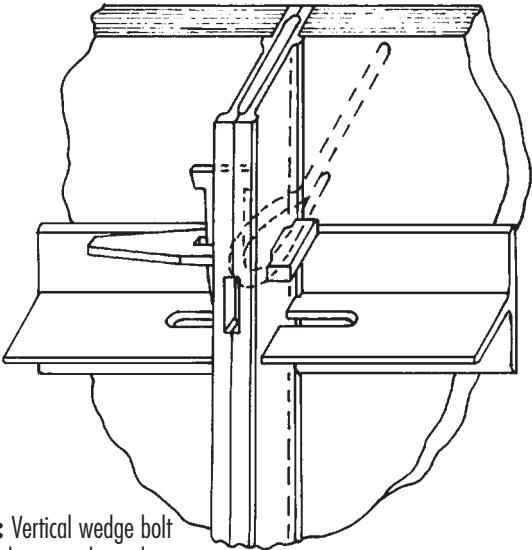


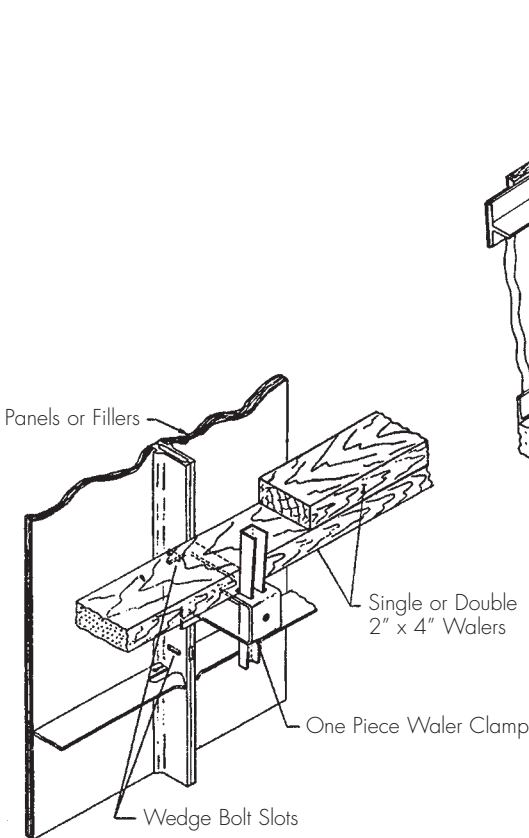
# Using Wedge Bolt Hardware



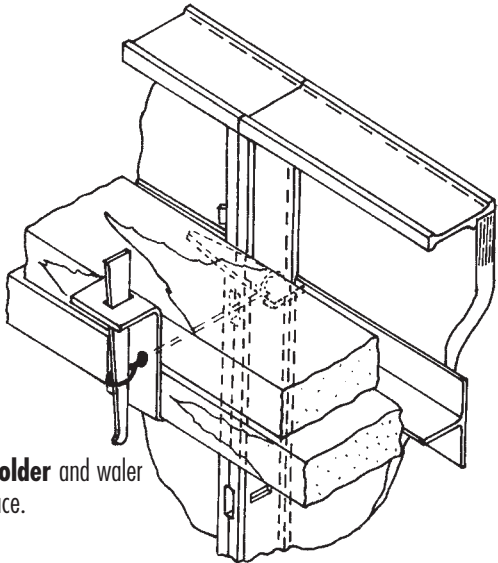
**Step 1:** Horizontal wedge bolt is inserted through loop or flat tie.



**Step 2:** Vertical wedge bolt is inserted next and panels made secure.



**Z tie holder** and strongback tie in place.



**Z tie holder** and water tie in place.